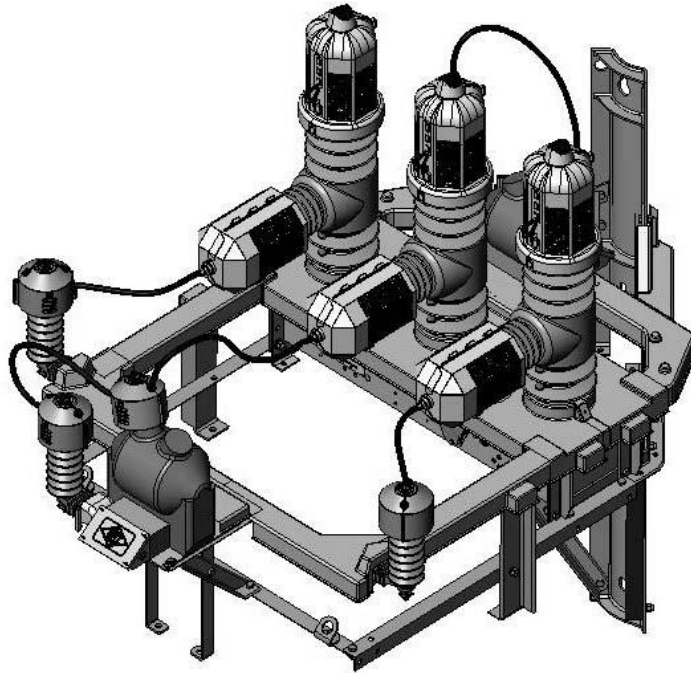
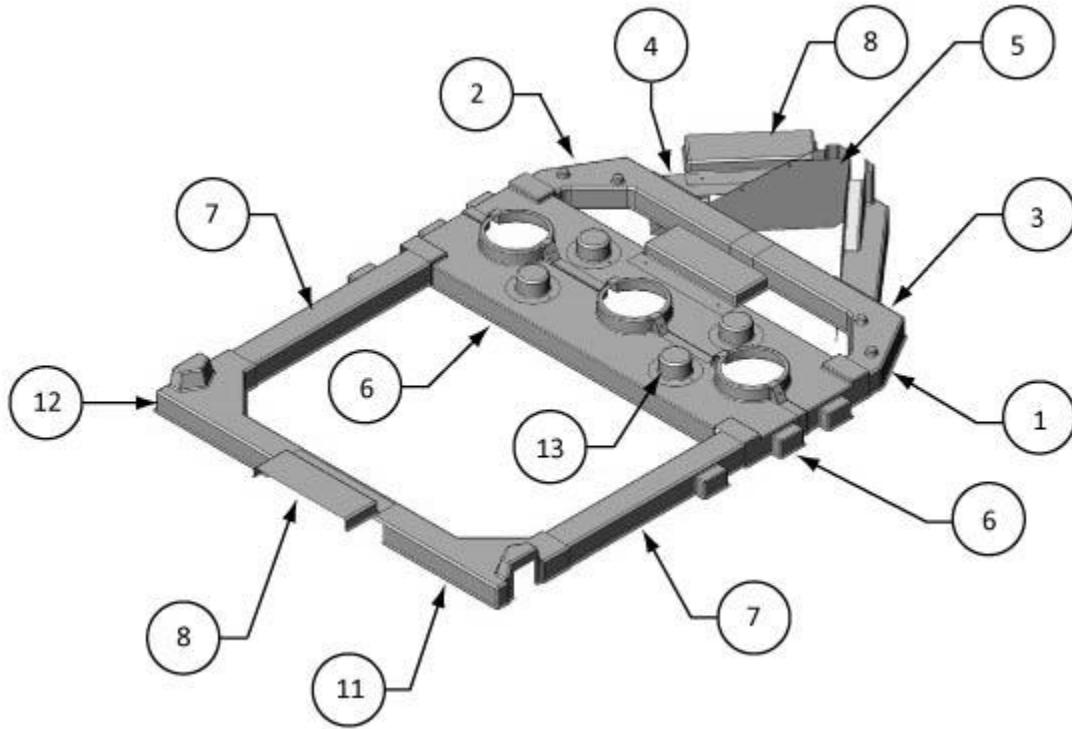




KE1189-01  
15kV COOPER NOVA RECLOSER FRAME COVER



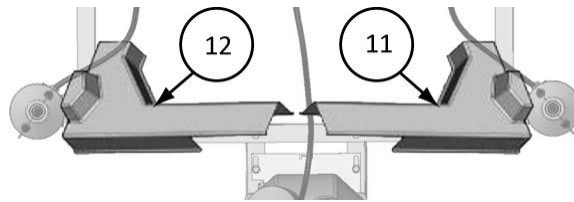
INSTALLATION INSTRUCTIONS



KE1189-01 PARTS LIST		
PART #	DESCRIPTION	QTY
1	RIGHT REAR FRAME COVER	1
2	LEFT REAR FRAME COVER	1
3	RIGHT REAR SUPPORT BAR COVER	1
4	LEFT REAR SUPPORT BAR COVER	1
5	REAR SUPPORT BAR BACK COVER	2
6	RECLOSER BOX COVER HALF	2
7	EXTENSION FRAME COVER	2
8	PT MOUNTING PLATE COVER	3
9	U-CHANNEL RETAINING CLIP	6
11	RIGHT FRONT FRAME COVER - NEW	1
12	LEFT FRONT FRAME COVER - NEW	1
13	RECLOSER BOX LIFTING LUG COVER	4
	RATCHET FASTENERS BLACK	100

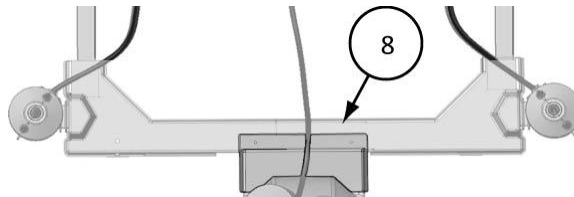
**Step 1:**

Install front frame covers by sliding down over arrester base. Center should be notched out to fit over PT mounting frame.



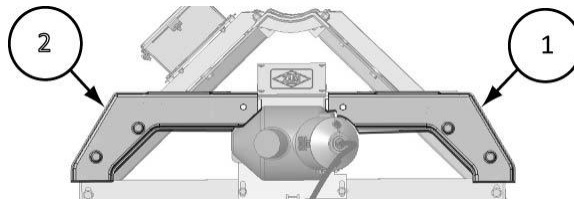
**Step 2:**

Install PT mounting plate shield by drilling holes in front frame covers at desired location so that it butts tight against PT. Secure in place with supplied black ratchet fasteners.



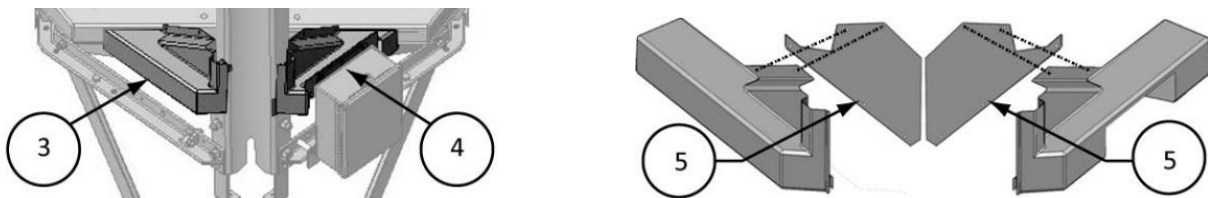
**Step 3:**

Install rear frame cover. Cover is to be supplied in two halves and cut to length to be tight to rear PT.



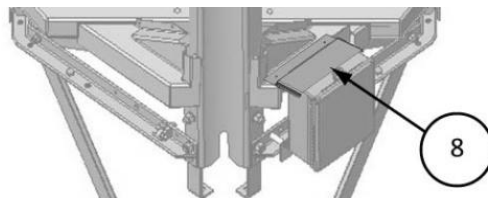
**Step 4:**

Install rear support bar cover front and back. The outer piece is designed to slide under rear frame cover and the flat inner piece (5) attaches with ratchet fasteners from inside the frame.



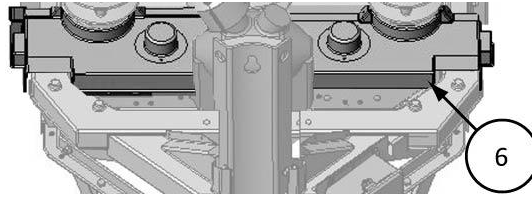
**Step 5:**

Install control box cover in same manner as PT plate cover (See Step 2).



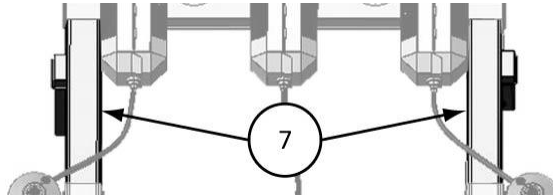
**Step 6:**

Install front recloser box cover half and notch the rear return up and over rear PT mounting plate as required.



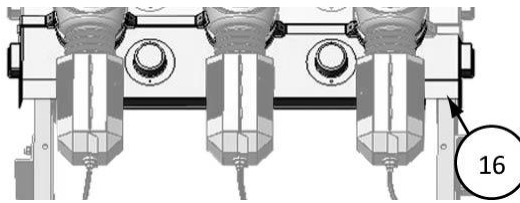
**Step 7:**

Install extension frame covers and trim to length as necessary.



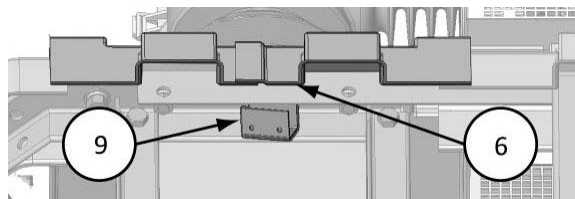
**Step 8:**

Install ratchet fasteners at overlap of recloser box cover halves to secure in place. Install rear PT mounting plate shield (See Step 2).



**Step 9:**

Secure the recloser box cover assembly to frame by installing u-shaped retainer clips. The clips to attach over the metal angle iron on the recloser frame, under the recloser box cover. Fasten in place with black ratchet fasteners as needed. You may need to align the holes.



**Step 10:**

Install recloser lifting lug covers once recloser frame has been lifted into place with ratchet fasteners.

